

200G QSFP56 to QSFP56 AOC, 200G QSFP56 Active Optical Cable.

The 200G QSFP56 AOC is a QSFP56 VCSEL-based (Vertical Cavity Surface-Emitting Laser) active optical cable (AOC) designed for use in 200Gb/s Ethernet systems. The cable offers high port density and configurability, and a much longer reach than passive copper cables in the data centers. Since the AOC is hot pluggable, it is easy to install and replace.



The 200G QSFP56 active optical cable has a standard SFF-8665 compliant QSFP56 port on the electrical side towards the host system. It contains four multi-mode fibers (MMF) optic transceivers per end, each operating at data rates of up to 50Gb/s.

Features

- High-density QSFP56 MSA-compliant connectors
- 4 channels full-duplex active optical cables
- 4x uncooled 850nm VCSEL array and PIN photo-detector array (50G PAM4)
- Built-in 200G PAM4 DSP
- Compliant with QSFP56 MSA, CMIS, IEEE 802.3cd 200GBASE-SR4 and IEEE 802.3bm 100GBASE-SR4
- Data rate up to 212.5Gbps
- Length up to 70m (OM3) or 100m (OM4/OM5) over MMF
- Power consumption < 5W per end
- 200GAUI-4 electrical interface
- Built-in digital diagnostic functionality
- Operating case temperature range from 0°C to 70°C
- 3.3V power supply voltage
- RoHS compliant (lead free)

Applications

- 200GBASE-SR4 Ethernet (PAM4)
- 100GBASE-SR4 Ethernet (NRZ)



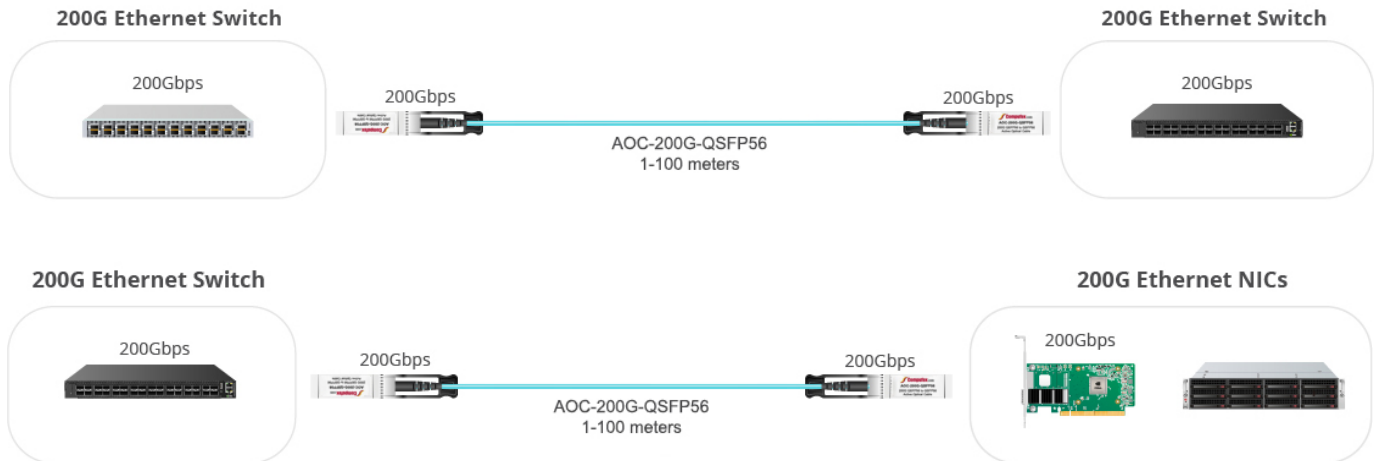
Contact Us:

Email: sales@compufox.com

 (305) 865-8517  +1 (305) 710-6768



Connection Diagrams



SPECIFICATIONS	
Connector A	200G QSFP56
Connector B	200G QSFP56
Max Data Rate	212.5Gbps
Max Length	100m (328ft)
Wavelength	850nm
Media	OM4 MMF
Temperature	0 to 70°C (32 to 158°F)
Power Consumption	< 5W per end